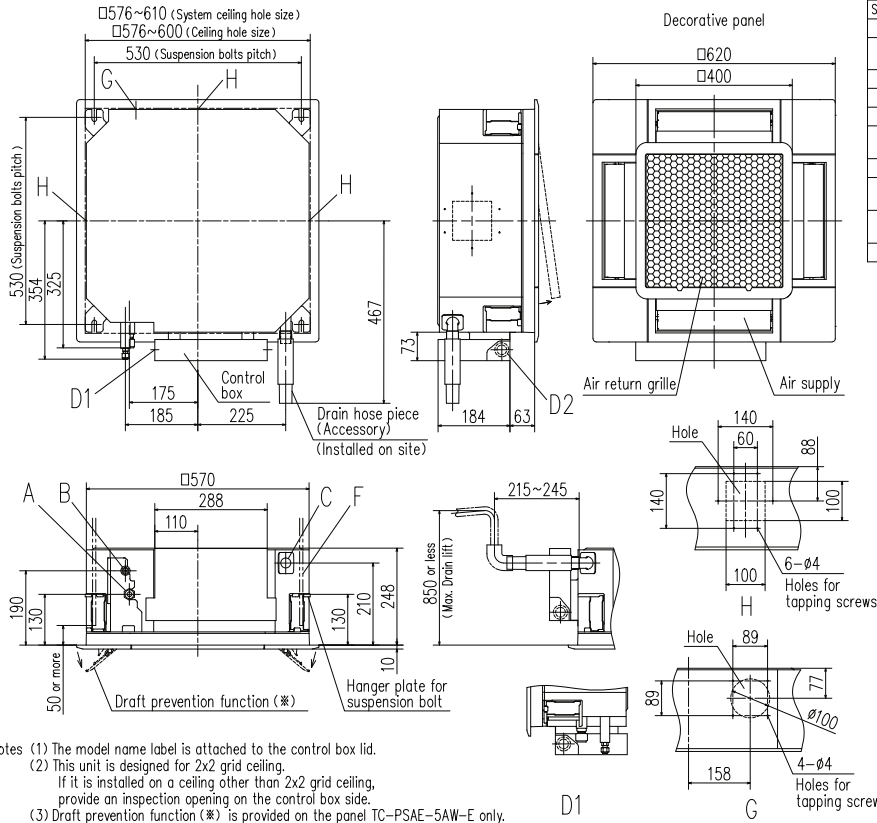
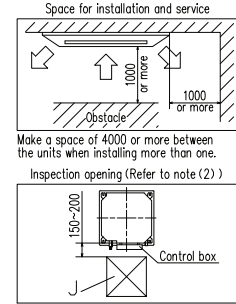


## DIMENSIONS (Unit:mm) - FDTC -



Symbol	Content		
	Model	25,35	40,50,60
A	Gas piping	ø9.52 (3/8") (Flare)	ø12.7 (1/2") (Flare)
B	Liquid piping	ø6.35 (1/4") (Flare)	
C	Drain piping	VP25 (O.D.32)	
D1	Power supply connection		
D2	Remote control code and signal wiring connection		
F	Suspension bolts	(M10 or M8)	
G	Outside air opening for ducting	(Knock out)	
H	Air outlet opening for ducting	ø125 (Knock out)	
J	Inspection opening	450X450	



- Notes (1) The model name label is attached to the control box lid.  
 (2) This unit is designed for 2x2 grid ceiling.  
 If it is installed on a ceiling other than 2x2 grid ceiling, provide an inspection opening on the control box side.  
 (3) Draft prevention function (※) is provided on the panel TC-PSAE-5AW-E only.

## SPECIFICATIONS -FDTC-

R32			Hyper Inverter		
Set model name			FDTC40ZSXW1VH	FDTC50ZSXW1VH	FDTC60ZSXW1VH
Indoor unit			FDTC40VH	FDTC50VH	FDTC60VH
Outdoor unit			SRC40ZSX-W1	SRC50ZSX-W1	SRC60ZSX-W1
Power source			1 Phase 220-240V, 50Hz / 220V, 60Hz		
Nominal cooling capacity (Min~Max)			kW 4.0 ( 1.1 ~ 4.7 )	5.0 ( 1.1 ~ 5.6 )	5.6 ( 1.1 ~ 6.3 )
Nominal heating capacity (Min~Max)			kW 4.5 ( 0.6 ~ 5.4 )	5.4 ( 0.6 ~ 6.3 )	6.7 ( 0.6 ~ 6.7 )
Power consumption			Cooling/Heating kW 0.98 / 1.13	1.40 / 1.53	1.73 / 2.14
EER/COP			Cooling/Heating 4.08 / 3.98	3.58 / 3.53	3.23 / 3.13
Inrush current			A 5	5	5
Max. current			15	15	15
Sound power level*1	Indoor	Cooling/Heating	59 / 59	59 / 59	60 / 60
	Outdoor	Cooling/Heating	63 / 62	63 / 62	65 / 65
Sound pressure level*1	Indoor	Cooling (P-Hi/Hi/Me/Lo)	44 / 40 / 35 / 27	44 / 40 / 35 / 27	46 / 42 / 38 / 31
		Heating (P-Hi/Hi/Me/Lo)	44 / 40 / 35 / 27	44 / 40 / 35 / 27	46 / 42 / 38 / 31
	Outdoor	Cooling/Heating	52 / 50	52 / 50	53 / 54
		Cooling/Heating	13 / 11 / 9 / 7	13 / 11 / 9 / 7	14 / 12 / 10 / 8
Air flow	Indoor	Cooling/Heating	13 / 11 / 9 / 7	13 / 11 / 9 / 7	14 / 12 / 10 / 8
	Outdoor	Cooling/Heating	39 / 33	39 / 33	41.5 / 39
Exterior dimensions			Unit: 248 x 570 x 570 Panel: 10 x 620 x 620		
Net weight			640 x 800(+71) x 290		
Ref.piping size			16.5(Unit:14 Standard Panel:2.5)		
Refrigerant line (one way) length			45		
Vertical height differences			6.35(1/4") / 12.7(1/2")		
Outdoor operating temperature range			Max.30		
Panel			Max.20 / Max.20		
Air filter, Q'ty			-15~46*2		
Remote control (option)			-20~24		
Panel			TC-PSA-5AW-E, TC-PSAE-5AW-E		
Air filter, Q'ty			Pocket plastic net x 1(Washable)		
Remote control (option)			wired:RC-EX3A, RC-E5, RCH-E3 wireless:RCN-TC-5AW-E2		

### NOTES:

The data are measured under the following conditions(ISO-T1,H1).  
 Cooling:Indoor temp. of 27°CDB, 19°CWB, and outdoor temp. of 35°CDB. Heating:Indoor temp. of 20°CDB, and outdoor temp. of 7°CDB, 6°CWB.  
 \*1 : Indicates the value in an anechoic chamber. During operation these values are somewhat higher due to ambient conditions.  
 \*2 : If a cooling operation is conducted when the outdoor air temperature is -5°C or lower, the outdoor unit should be installed at a place where it is not influenced by natural wind. If wind blows, the low pressure will drop and compressor frequency will increase, this will cause the capacity to drop and may cause the unit to break down.